



Display Your Success!



ALUMINIUM PROFILES

SINGLE SIDE	3
DOUBLE SIDE	17

ILLUMINATION OPTIONS

MODULE LED'S	30
BACKLIT	31
EDGE LIT	34

ACCESSORIES

FREE STANDING UNITS	38
PVC / SILICONE STRIPES	38
HANGING UNITS	39
POWER SUPPLIES	39

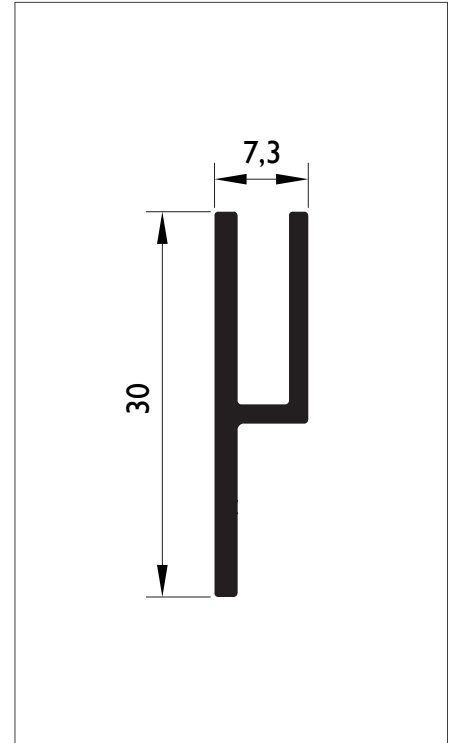


SINGLE SIDE

H PROFILE

Product Code: LD.MTL.PLT28

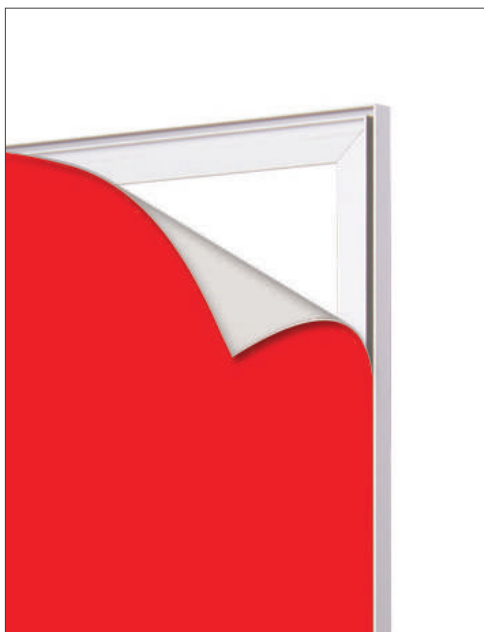
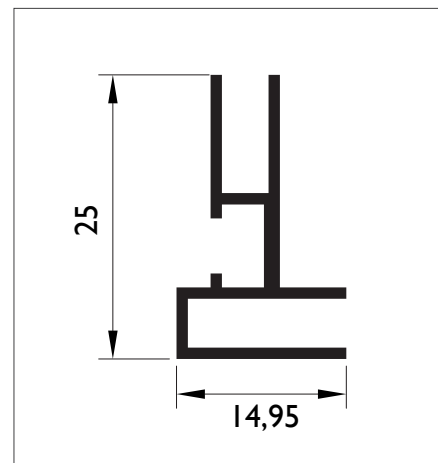
- Single side
- Illuminated / Non-Illuminated
- Usable for alcove areas
- Illuminated or non-illuminated option according to area



15 MM PROFILE

Product Code: LD.MTL.PLT01

- Single side
- Non-Illuminated
- Frame depth 15 mm
- Mountable on the wall
- Easy installation and visual changement
- Different size options
- Different color options
- Easy transport as demounted



Illuminated



Non-Illuminated

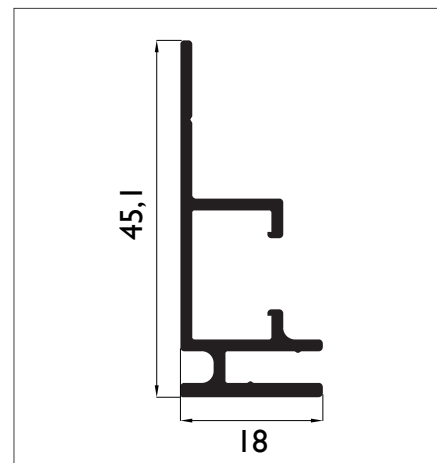


Radius

18 MM PROFILE

Product Code: LD.MTL.PAJ04

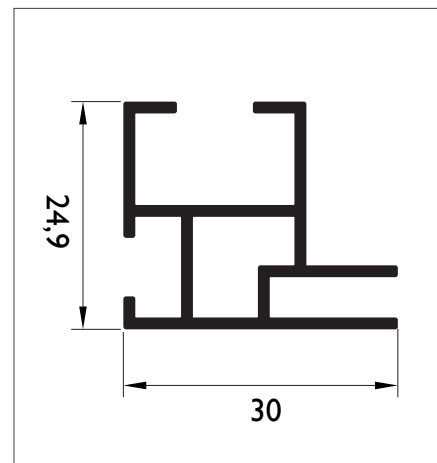
- Single side
- Non-Illuminated
- Frame depth 18 mm
- Mountable on the wall
- Easy installation and visual changement
- Different size options
- Different color options
- Easy transport as demounted



30 MM MODULAR PROFILE

Product Code: LD.MTL.PLT38

- Single side
- Non-Illuminated
- Frame depth 30 mm
- Mountable on the wall
- Usable for modular displays
- Easy installation and visual changement
- Different size options
- Different color options
- Easy transport as demounted



Illuminated



Non-Illuminated

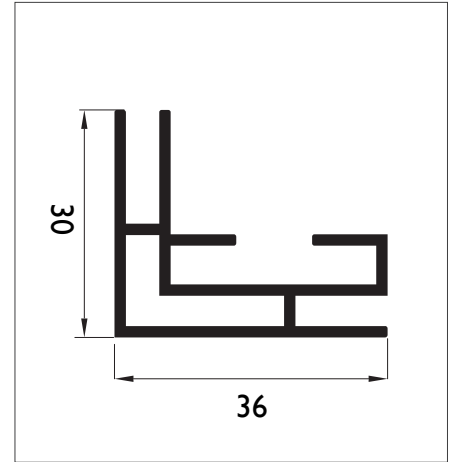


Radius

30 MM PROFILE

Product Code: LD.MTL.PLT02

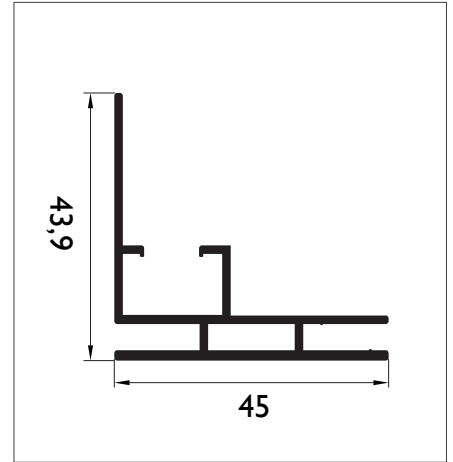
- Single side
- Non-Illuminated
- Frame depth 30 mm
- Mountable on the wall
- Easy installation and visual changement
- Different size options
- Different color options
- Easy transport as demounted



45 MM PROFILE

Product Code: LD.MTL.PLT03

- Single side
- Backlit Illuminated
- Frame depth 45 mm
- Mountable on the wall
- Easy installation and visual changement
- Different size options
- Different color options
- Easy transport as demounted



Illuminated



Non-Illuminated

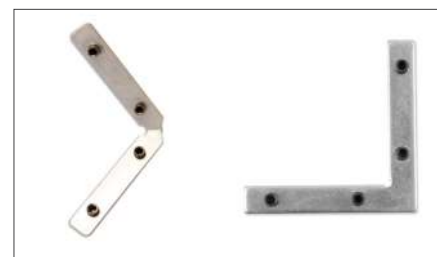
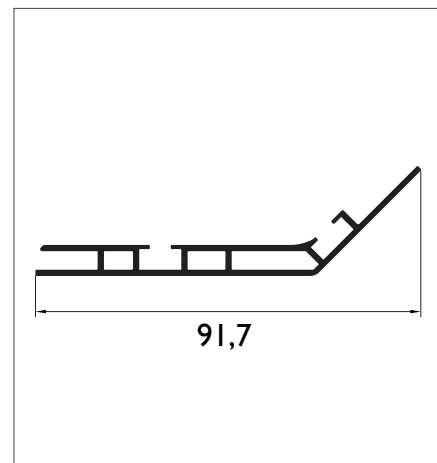
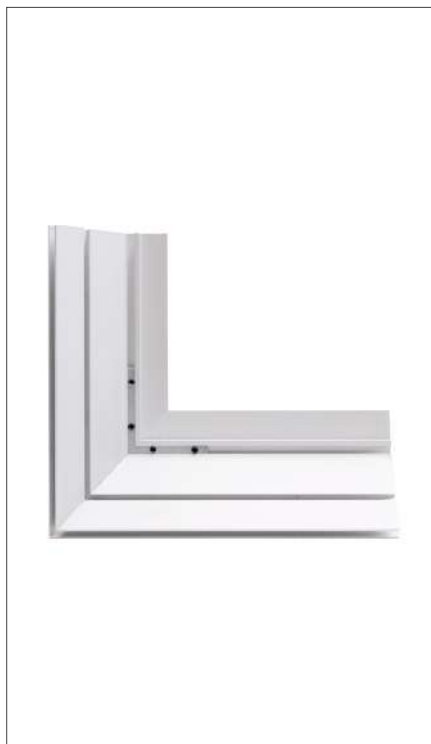


Radius

DIAMOND PROFILE

Product Code: LD.MTL.PLT27

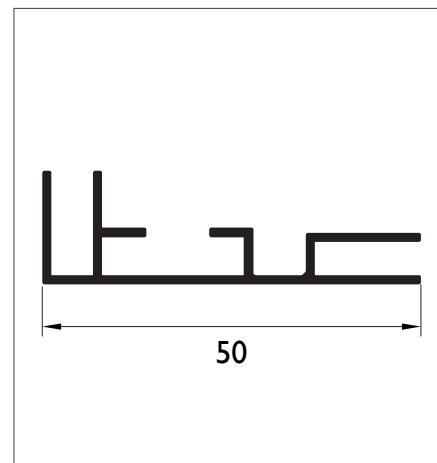
- Single side
- Backlit Illuminated
- Usable for column covering
- Mountable on the wall
- Easy visual chngement
- Different size options
- Different color options
- Easy transport as demounted



50 MM PROFILE

Product Code: LD.MTL.PLT36

- Single side
- Backlit Illuminated
- Frame depth 50 mm
- Mountable on the wall
- Easy visual changement
- Different size options
- Different color options
- Easy transport as demounted



Illuminated



Non-Illuminated

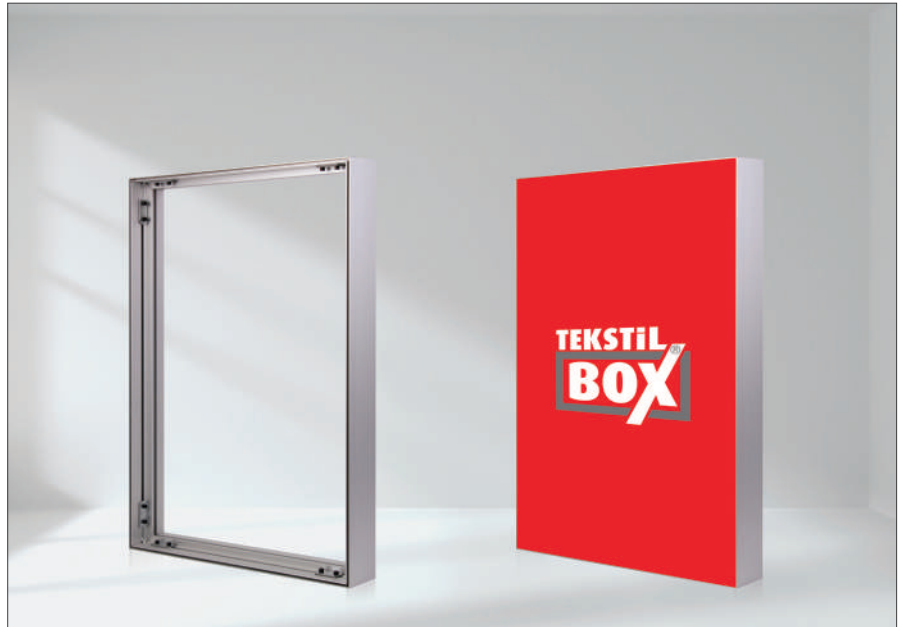
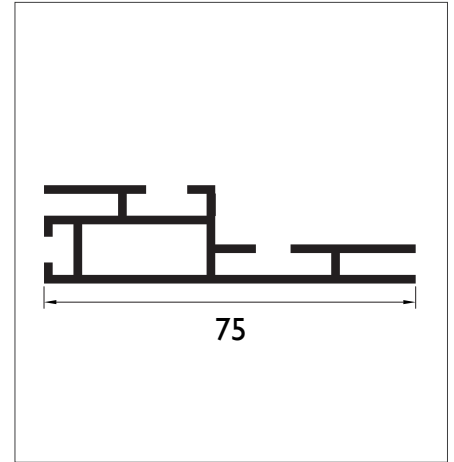


Radius

75 MM PROFILE

Product Code: LD.MTL.PLT05

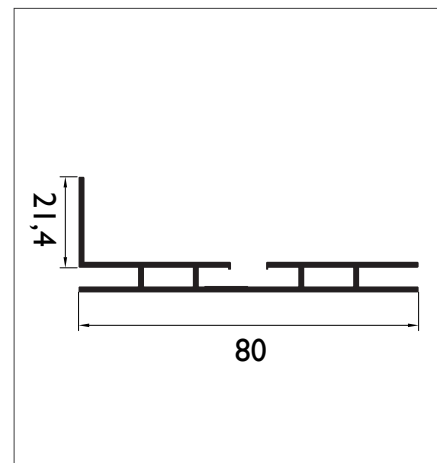
- Single side
- Edgelit Illuminated
- Frame depth 75 mm
- Mountable on the wall
- Easy installation and visual changement
- Different size options
- Different color options
- Easy transport as demounted



80 MM ECO PROFILE

Product Code: LD.MTL.PLT45

- Single side
- Edgelit / Backlit Illuminated
- Frame depth 80 mm
- Mountable on the wall
- Easy installation and visual changement
- Different size options
- Different color options
- Easy transport as demounted



Illuminated



Non-Illuminated

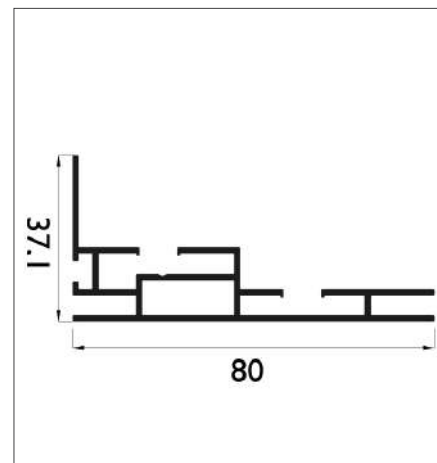


Radius

80 MM PROFILE

Product Code: LD.MTL.PLT44

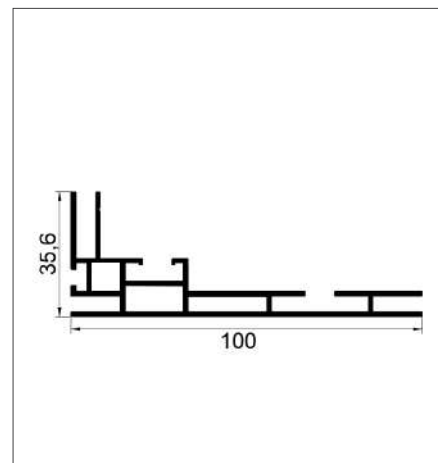
- Single side
- Edgelit / Backlit Illuminated
- Frame depth 80 mm
- Mountable on the wall
- Easy installation and visual changement
- Different size options
- Different color options
- Easy transport as demounted



100 MM PROFILE

Product Code: LD.MTL.PLT64

- Single side
- Edgelit / Backlit Illuminated
- Frame depth 100 mm
- Mountable on the wall
- Easy installation and visual changemnt
- Different size options
- Different color options
- Easy transport as demounted



Illuminated



Non-Illuminated

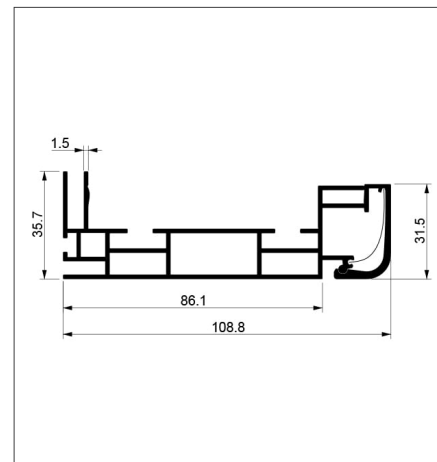


Radius

100 MM OUTDOOR PROFILE

Product Code: LD.MTL.PLT81 (Profile)
LD.MTL.PLT82 (Cover)

- Single side
- Backlit Illuminated
- Frame depth 100 mm
- Mountable on the wall
- Easy installation and visual changement
- Different size options
- Different color options
- Easy transport as demounted



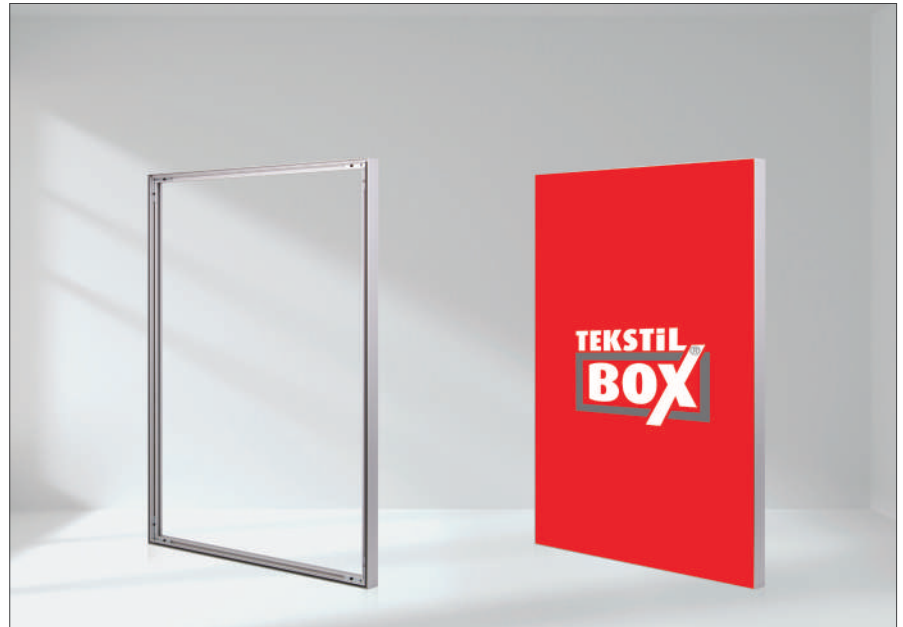
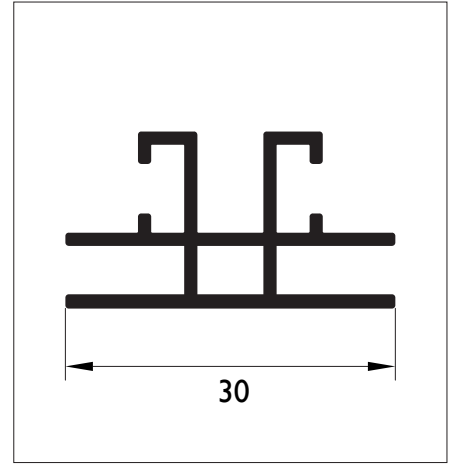


DOUBLE SIDE

30 MM PROFILE

Product Code: LD.MTL.PLT37

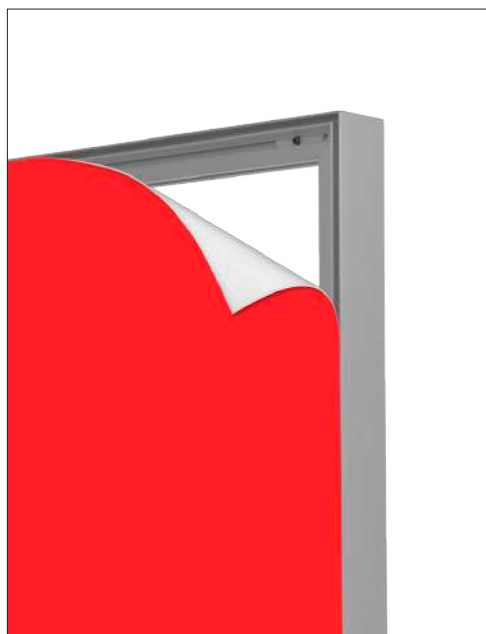
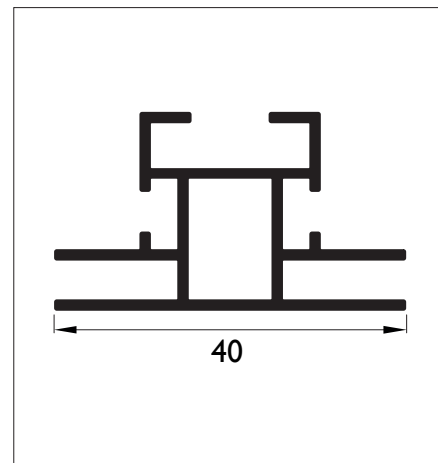
- Double side
- Plexi Illuminated
- Frame depth 30 mm
- Easy installation and visual changement
- Different size options
- Different color options
- Easy transport as demounted



40 MM PROFILE

Product Code: LD.MTL.PLT84

- Double side
- Non-illuminated
- Frame depth 40 mm
- Easy installation and visual changement
- Different size options
- Different color options
- Easy transport as demounted



Illuminated



Non-Illuminated

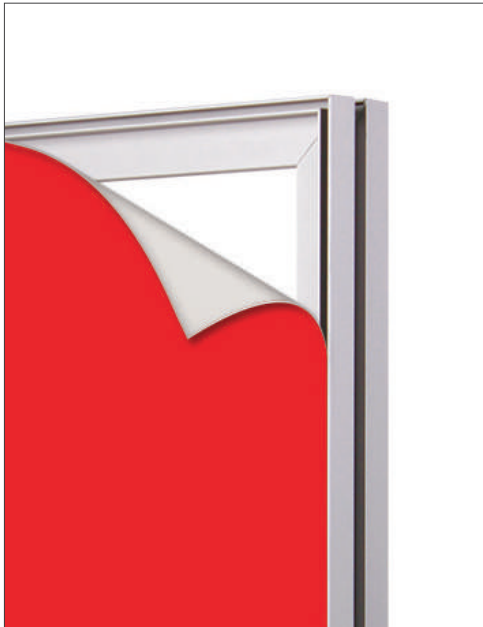
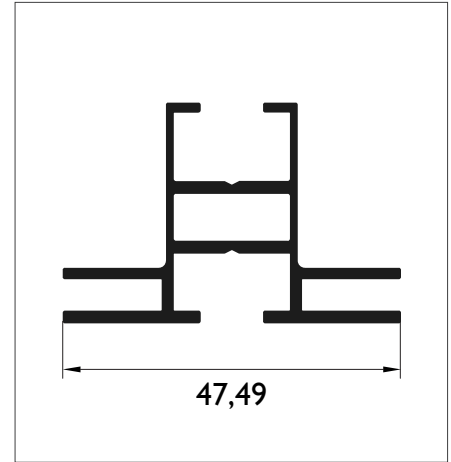


Radius

47,5 MM PROFILE

Product Code: LD.MTL.PLT33

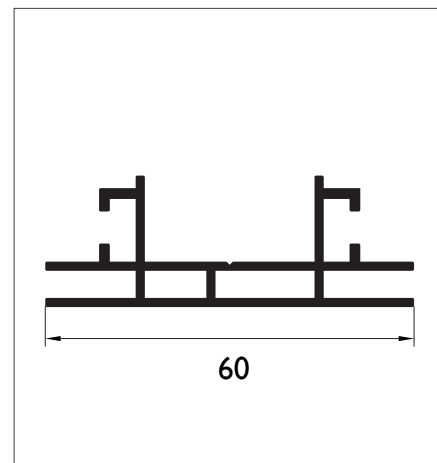
- Double side
- Non-illuminated
- Frame depth 47,5 mm
- Easy installation and visual changement
- Big size display opportunity as modular
- Different size options
- Different color options
- Easy transport as demounted



60 MM PROFILE

Product Code: LD.MTL.PLT08

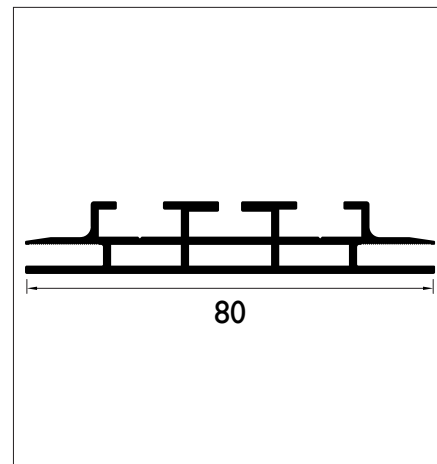
- Double side
- Edgelit Illuminated
- Frame depth 60 mm
- Easy installation and visual changement
- Different size options
- Different color options
- Easy transport as demounted



80 MM PROFILE

Product Code: LD.MTL.PLT70

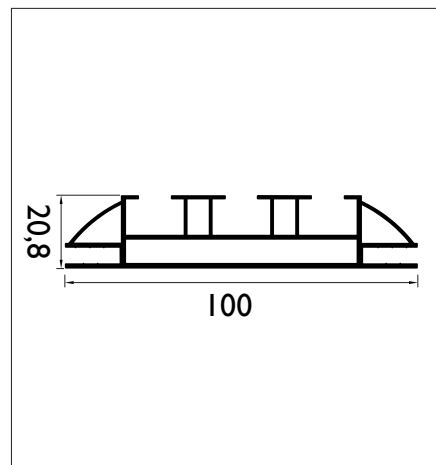
- Double side
- Edgelit Illuminated
- Frame depth 80 mm
- Easy installation and visual changement
- Different size options
- Different color options
- Easy transport as demounted



100 MM PROFILE

Product Code: LD.MTL.PLT34

- Double side
- Edgelit Illuminated
- Frame depth 100 mm
- Easy installation and visual changement
- Different size options
- Different color options
- Easy transport as demounted



Illuminated



Non-Illuminated

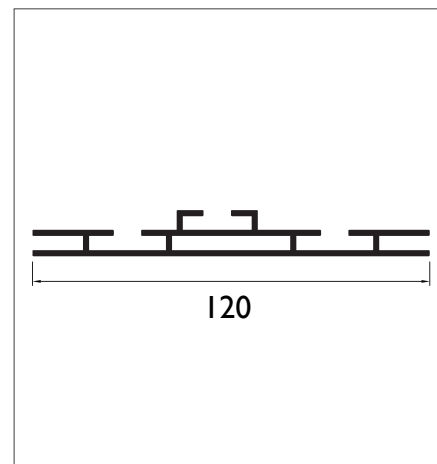


Radius

120 MM PROFILE

Product Code: LD.MTL.PLT06

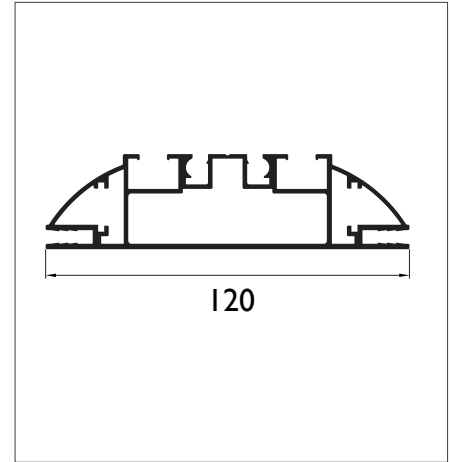
- Double side
- Edgelit Illuminated
- Frame depth 120 mm
- Easy installation and visual changement
- Different size options
- Different color options
- Easy transport as demounted



AJ120 MM PROFILE

Product Code: LD.MTL.PAJ06

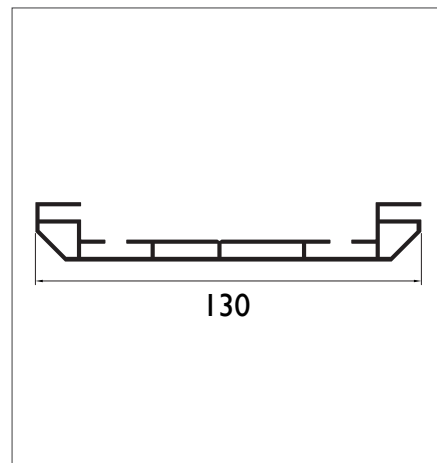
- Double side
- Edgelit Illuminated
- Frame depth 120 mm
- Easy Connector is an option
- Easy installation and visual changement
- Different size options
- Different color options
- Easy transport as demounted



130 MM SHOPWINDOW PROFILE

Product Code: LD.MTL.PLT I I

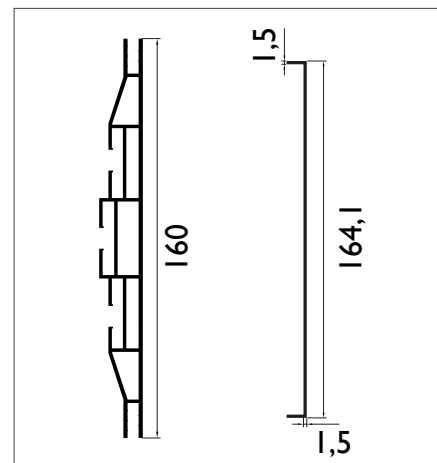
- Double side
- Edgelit Illuminated
- Frame depth 130 mm
- For shopwindows usage
- Easy installation and visual chngement
- Different size options
- Different color options
- Easy transport as demounted



160 MM PROFILE

Product Code: LD.MTL.PLT46 (Profile)
LD.MTL.PLT47 (Cover)

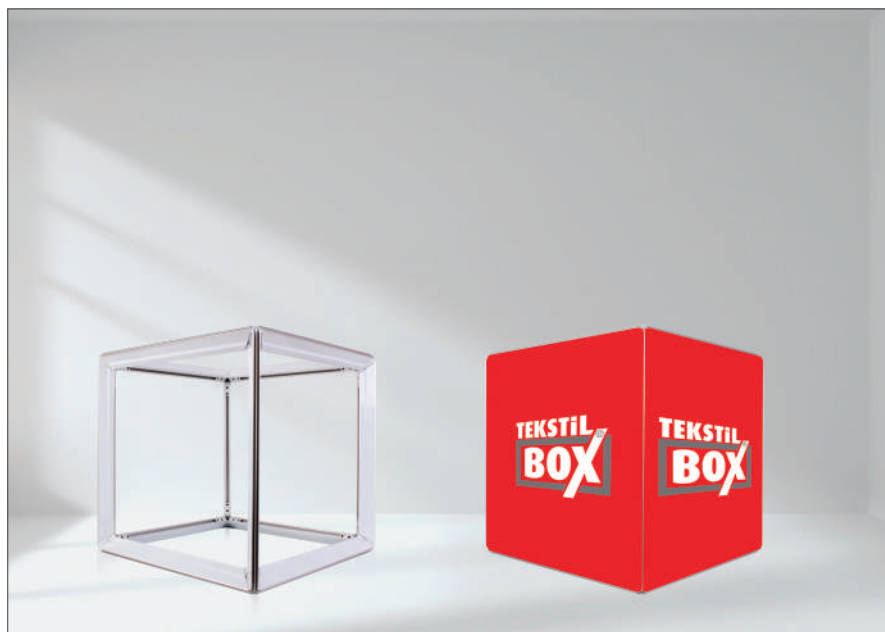
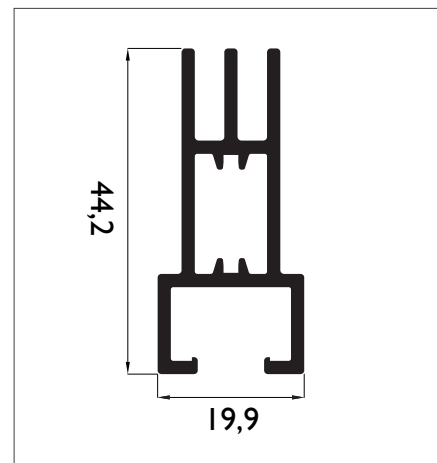
- Double side
- Edgelit Illuminated
- Frame depth 160 mm
- Easy installation and visual changement
- Different size options
- Different color options
- Easy transport as demounted



CUBE PROFILE

Product Code: LD.MTL.PAJ02

- Double side
- Edgelit Illuminated
- Easy installation and visual changement
- Different size options
- Different color options
- Easy transport as demounted





ILLUMINATION OPTIONS

2W MODULE LED



Code Name	LD.LED.ML.12
Size (mm)	43 x 36,3 x 15 mm
CCT (K)	9500 - 10000K
View Angle (°)	15° x 45°
Luminous Flux (lm)	180
Voltage (V)	12
Power (W/pcs)	2
IP Class	IP65
Maximum Serial Connection	20

MODULE LED



Code Name	LD.LED.ML.17	LD.LED.ML.10
Size (mm)	37 x 25,5 mm	37 x 25,5 mm
CCT (K)	7000 - 8000 K	6000 - 6500K
View Angle (°)	170°	170°
Luminous Flux (lm)	55	55
Voltage (V)	12	12
Power (W/pcs)	0,72	0,72
IP Class	IP65	IP65
Maximum Serial Connection	15	15

NEW ECO SLIM LED BAR



Code Name	LD.LED.BL28N	LD.LED.BL50	LD.LED.BL35
Size (mm)	480 mm <small>Can be cut at each 240 mm</small>		480 mm <small>Can be cut at each 240 mm</small>
CCT (K)	6000 - 6500 K		3000 - 3500K
View Angle (°)	160°		160°
Luminous Flux (lm)	330 lm/bar		330 lm/bar
Voltage (V)	12	24	12
Power (W/pcs)	3,6 W/bar		3,6 W/bar
IP Class	IP20		IP20
Maximum Serial Connection	7		7

ECO 48 CURTAIN (OUTDOOR)



Code Name	LD.LED.BL49
Size (mm)	485 mm
CCT (K)	6000 - 6500K
View Angle (°)	170°
Luminous Flux (lm)	500 - 600
Voltage (V)	12
Power (W/pcs)	6
IP Class	IP64
Maximum Serial Connection	12

OSRAM IP 20 LED BAR



Code Name	LD.LED.BL36
Size (mm)	475 mm <small>Can be cut at each 160 mm</small>
CCT (K)	6000 - 7000K
View Angle (°)	170°
Luminous Flux (lm)	600 lm/bar
Voltage (V)	24
Power (W/pcs)	6 W/bar
IP Class	IP20
Maximum Serial Connection	12

OSRAM IP 65 LED BAR

50 CM



Code Name	LD.LED.BL38
Size (mm)	500 mm
CCT (K)	6000 - 7000K
View Angle (°)	170°
Luminous Flux (lm)	500 lm/bar
Voltage (V)	12
Power (W/pcs)	7 W/bar
IP Class	IP65
Maximum Serial Connection	12

ECO 48 CURTAIN (SAMSUNG)



Code Name	LD.LED.BL43	LD.LED.BL44
Size (mm)	480 mm <small>Can be cut at each 240 mm</small>	240 mm
CCT (K)	6000 - 6500 K	6000 - 6500 K
View Angle (°)	160°	160°
Luminous Flux (lm)	330	165
Voltage (V)	12	12
Power (W/pcs)	3,6	1,8
IP Class	IP20	IP20
Maximum Serial Connection	15	15

MEGA SLIM LED BAR



Code Name	LD.LED.BL45
Size (mm)	450 mm <small>Can be cut at each 80 mm</small>
CCT (K)	6000 - 6500K
View Angle (°)	170°
Luminous Flux (lm)	550 - 600 lm/bar
Voltage (V)	12
Power (W/pcs)	6,8 W/bar
IP Class	IP20
Maximum Serial Connection	6

ECO CONIC LED BAR



Code Name	LD.LED.SL.23	LD.LED.SL.24
Size (mm)	250 mm	450 mm
CCT (K)	6000 - 6500 K	6000 - 6500K
View Angle (°)	15° x 45°	15° x 45°
Luminous Flux (lm)	520	900
Voltage (V)	24	24
Power (W/pcs)	8,4	14,4
IP Class	IP44	IP44
Maximum Serial Connection	10	5

ULTRA CONIC LED BAR



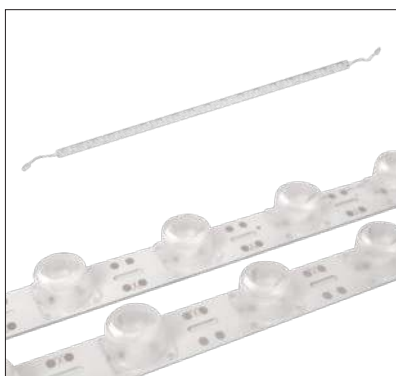
Code Name	LD.LED.SL.31	LD.LED.SL.30
Size (mm)	500 mm	200 mm
CCT (K)	6000 - 7000 K	6000 - 7000K
View Angle (°)	15° x 45°	15° x 45°
Luminous Flux (lm)	2000	800
Voltage (V)	24	24
Power (W/pcs)	20	8
IP Class	IP53	IP53
Maximum Serial Connection	3	10

S SIDE EDGELIT ILLUMINATED



Code Name	LD.LED.SL.19	LD.LED.SL.20
Size (mm)	296 mm	495 mm
CCT (K)	7000 - 7500 K	7000 - 7500 K
View Angle (°)	15° x 45°	15° x 45°
Luminous Flux (lm)	635	1055
Voltage (V)	24	24
Power (W/pcs)	9,6	16,8
IP Class	IP64	IP64
Maximum Serial Connection	10	5

SIDE LED 99 CM



Code Name	LD.LED.SL.34
Size (mm)	990x25x1 mm
CCT (K)	9500 - 11000K
View Angle (°)	15 x 45°
Luminous Flux (lm)	120 lm/pcs
Voltage (V)	12
Power (W/pcs)	18W/bar
IP Class	IP20
Maximum Serial Connection	2





ACCESSORIES

FREE STANDING UNITS



Flat Foot
100 x 450 mm



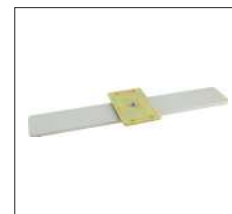
Flat Foot
165 x 500 mm



Flat Foot
250 x 60 mm



Radius Foot
500 x 100 mm



Modular Foot
60 x 375 mm



Metal Foot
400 x 300 mm



Delta Foot
200 x 400 mm



Delta Foot
350 x 350 mm



Round Foot
500 x 5 mm



360° Foot
400 x 400 x 100 mm



Delta Metal Foot Model I
180 x 130 mm



Delta Metal Foot Model 5
180 x 130 mm



Wheeled Foot
600 x 350 x 70mm

PVC / SILICONE STRIPES



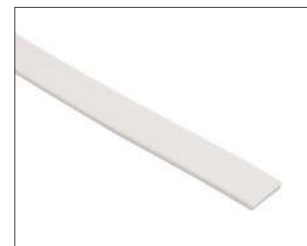
PVC Transparent Stripes
13 x 3 mm



PVC Transparent Stripes
10,5 x 3 mm



PVC White Stripes
13 x 3 mm



Silicone White Stripes
15 x 3,5 mm

HANGING UNITS



Steel Cable



Suspension Clip



Steel Cable Connector



Eyebolt



Hook with Lock

POWER SUPPLIES



MODEL	LPV-35-12	LPV-60-12	LPV-100-12	LPV-150-12
POWER	36W	60W	100W	120W
DS VOLTAGE	12V	12V	12V	12V
CURRENT	3A	5A	8,5A	10A
EFFI.	84%	83%	85%	87%
WORK. TEMP.	-30 +65°	-30 +70°	-25 +70°	-25 +65°



MODEL	LPV-35-24	LPV-60-24	LPV-100-24	LPV-150-24
POWER	36W	60W	100W	150W
DS VOLTAGE	24V	24V	24V	24V
CURRENT	1,5A	2,5A	4,2A	6,3A
EFFI.	85%	86%	88%	89%
WORK. TEMP.	-30 +65°	-30 +70°	-25 +70°	-25 +65°

POWER SUPPLIES



MODEL	XLG-200-12	XLG-200-24
POWER	192W	199,2W
DS VOLTAGE	12V	24V
CURRENT	16A	8,3A
EFFI.	92%	94%
WORK. TEMP.	-40 +90°	-40 +90°



MODEL	ELG 150-12	ELG 200-12	ELG 300-12
POWER	120W	192W	264W
DS VOLTAGE	12V	12V	12V
CURRENT	10A	16A	22A
EFFI.	88%	90%	91%
WORK. TEMP.	-40 +90°	-40 +90°	-40 +85°



MODEL	ELG 150-24	ELG 200-24	ELG 300-24
POWER	150W	201,6W	300W
DS VOLTAGE	24V	24V	24V
CURRENT	6,25A	8,4A	12,5A
EFFI.	89%	92%	94%
WORK. TEMP.	-40 +90°	-40 +90°	-40 +85°



MODEL	ULTRA SLIM 36-12	ULTRA SLIM 60-12	ULTRA SLIM 60-24
POWER	36W	60W	60W
DS VOLTAGE	12V	12V	24V
CURRENT	3A	5A	2,5A
EFFI.	84%	84%	86%
WORK. TEMP.	-30 +60°	-30 +60°	-30 +60°

NOTES:

A series of horizontal dotted lines for writing notes.



NOTES:

A series of horizontal dotted lines providing a template for writing notes.

TEKSTİL BOX[®]

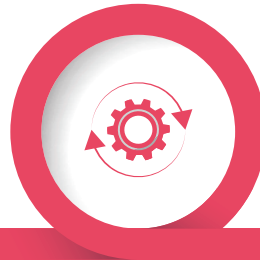
fabric display solutions



LONG LIFE



LOW COST



INNOVATION



ECO FRIENDLY





MEHMET NESİH ÖZMEN MH. SAVUR SK. NO: 22
MERTER - GÜNGÖREN - İSTANBUL / TURKEY

P +90 212 637 76 68 | F +90 212 637 03 38
info@tekstilbox.com | www.tekstilbox.com

