



*Display Your Success*



## ALUMINIUM PROFILES

SINGLE SIDE	3
DOUBLE SIDE	17

## ILLUMINATION OPTIONS

MODULE LED'S	30
BACKLIT	31
EDGE LIT	34

## ACCESSORIES

FREE STANDING UNITS	38
PVC / SILICONE STRIPES	38
HANGING UNITS	39
POWER SUPPLIES	39

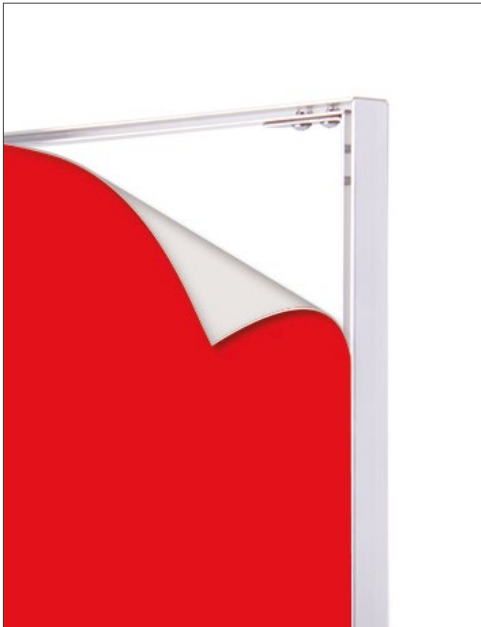
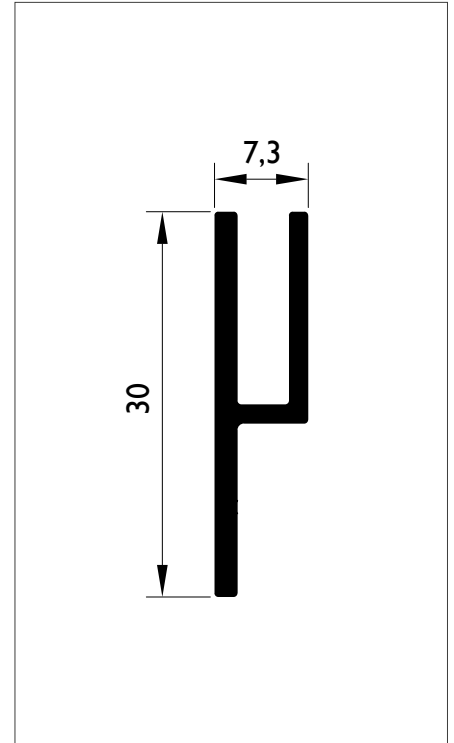
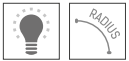


SINGLE SIDE

## H PROFILE

Product Code: LD.MTL.PLT.28

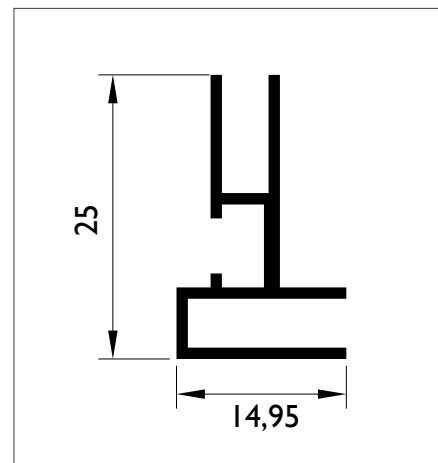
- Single side
- Illuminated / Non-Illuminated
- Usable for alcove areas
- Illuminated or non-illuminated option according to area



## 15 MM PROFILE

Product Code: LD.MTL.PLT.01

- Single side
- Non-Illuminated
- Frame depth 15 mm
- Mountable on the wall
- Easy installation and visual changement
- Different size options
- Different color options
- Easy transport as demounted



Illuminated



Non-Illuminated

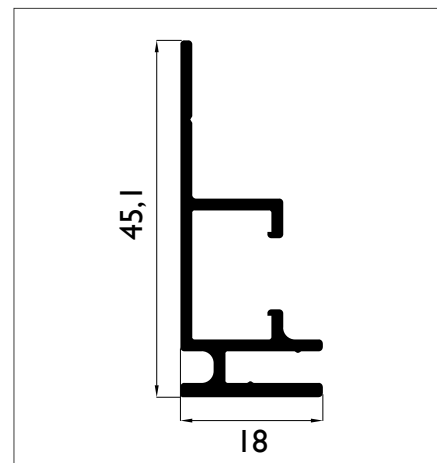


Radius

## 18 MM PROFILE

Product Code: LD.MTL.PAJ.04

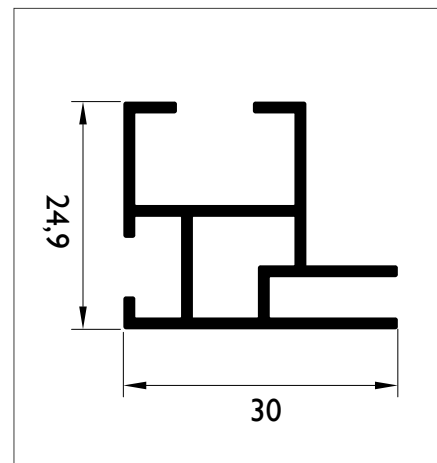
- Single side
- Non-Illuminated
- Frame depth 18 mm
- Mountable on the wall
- Easy installation and visual changement
- Different size options
- Different color options
- Easy transport as demounted



## 30 MM MODULAR PROFILE

Product Code: LD.MTL.PLT.38

- Single side
- Non-Illuminated
- Frame depth 30 mm
- Mountable on the wall
- Usable for modular displays
- Easy installation and visual changement
- Different size options
- Different color options
- Easy transport as demounted



Illuminated



Non-Illuminated

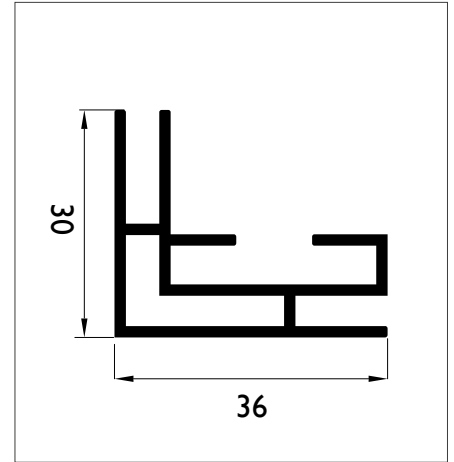


Radius

## 30 MM PROFILE

Product Code: LD.MTL.PLT.02

- Single side
- Non-Illuminated
- Frame depth 30 mm
- Mountable on the wall
- Easy installation and visual chngement
- Different size options
- Different color options
- Easy transport as demounted

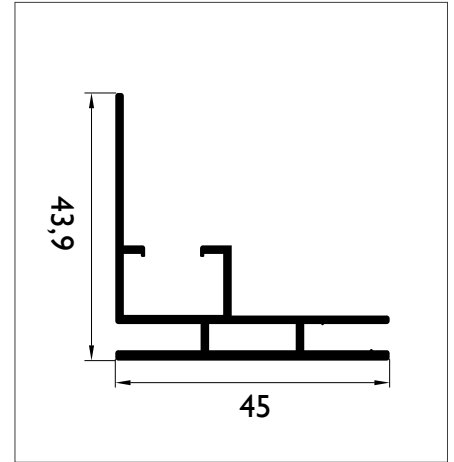




## 45 MM PROFILE

Product Code: LD.MTL.PLT.03

- Single side
- Backlit Illuminated
- Frame depth 45 mm
- Mountable on the wall
- Easy installation and visual changement
- Different size options
- Different color options
- Easy transport as demounted



Illuminated



Non-Illuminated

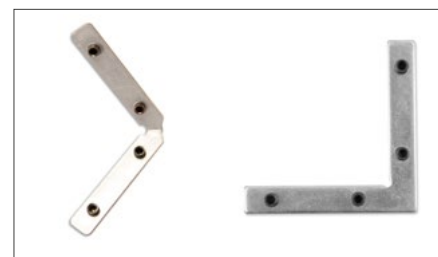
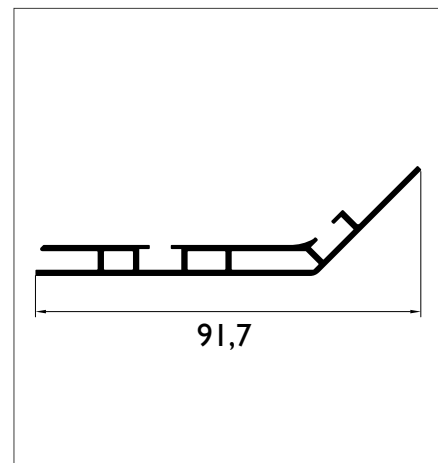


Radius

## DIAMOND PROFILE

Product Code: LD.MTL.PLT.27

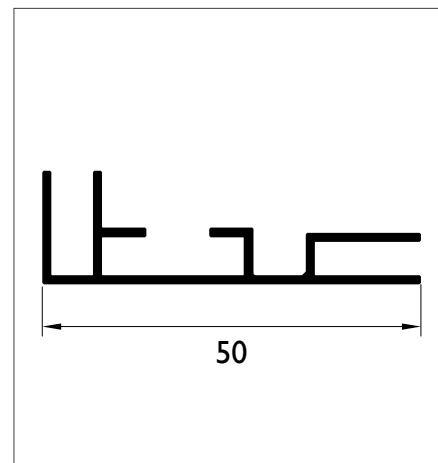
- Single side
- Backlit Illuminated
- Usable for colonne covering
- Mountable on the wall
- Easy visual changement
- Different size options
- Different color options
- Easy transport as demounted



## 50 MM PROFILE

Product Code: LD.MTL.PLT.36

- Single side
- Backlit Illuminated
- Frame depth 50 mm
- Mountable on the wall
- Easy visual changement
- Different size options
- Different color options
- Easy transport as demounted



Illuminated



Non-Illuminated

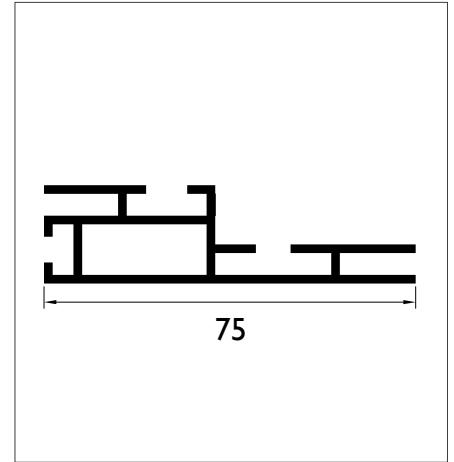


Radius

## 75 MM PROFILE

Product Code: LD.MTL.PLT.05

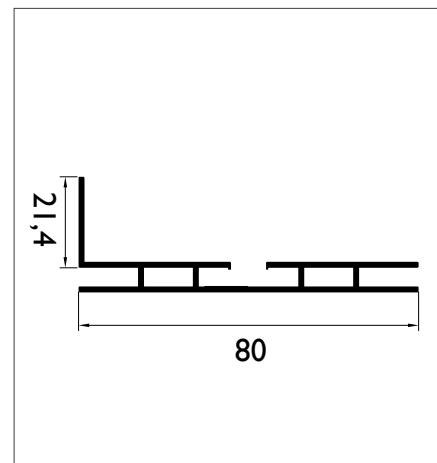
- Single side
- Edgelit Illuminated
- Frame depth 75 mm
- Mountable on the wall
- Easy installation and visual chngement
- Different size options
- Different color options
- Easy transport as demounted



## 80 MM ECO PROFILE

Product Code: LD.MTL.PLT.45

- Single side
- Edgelit / Backlit Illuminated
- Frame depth 80 mm
- Mountable on the wall
- Easy installation and visual chngement
- Different size options
- Different color options
- Easy transport as demounted



Illuminated



Non-Illuminated

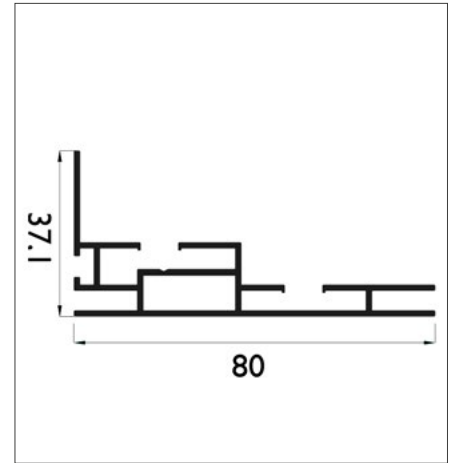


Radius

## 80 MM PROFILE

Product Code: LD.MTL.PLT.44

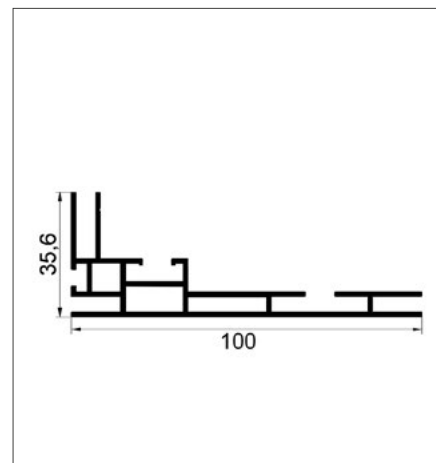
- Single side
- Edgelit / Backlit Illuminated
- Frame depth 80 mm
- Mountable on the wall
- Easy installation and visual changement
- Different size options
- Different color options
- Easy transport as demounted



## 100 MM PROFILE

Product Code: LD.MTL.PLT.64

- Single side
- Edgelit / Backlit Illuminated
- Frame depth 100 mm
- Mountable on the wall
- Easy installation and visual changement
- Different size options
- Different color options
- Easy transport as demounted



Illuminated



Non-Illuminated

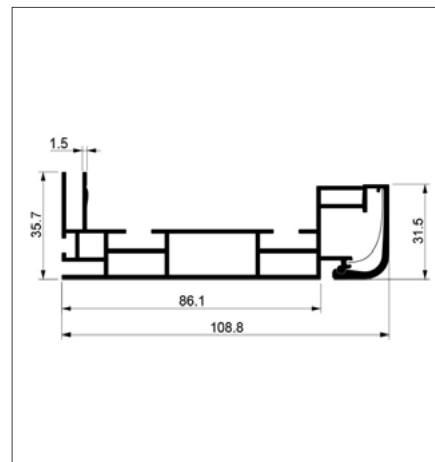


Radius

## 100 MM OUTDOOR PROFILE

Product Code: LD.MTL.PLT.81 (Profile)  
LD.MTL.PLT.82 (Cover)

- Single side
- Backlit Illuminated
- Frame depth 100 mm
- Mountable on the wall
- Easy installation and visual changement
- Different size options
- Different color options
- Easy transport as demounted



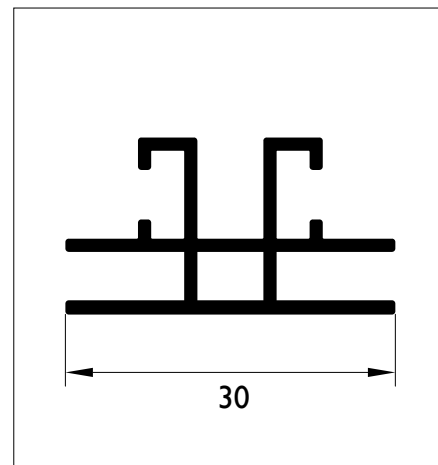


DOUBLE SIDE

## 30 MM PROFILE

Product Code: LD.MTL.PLT.37

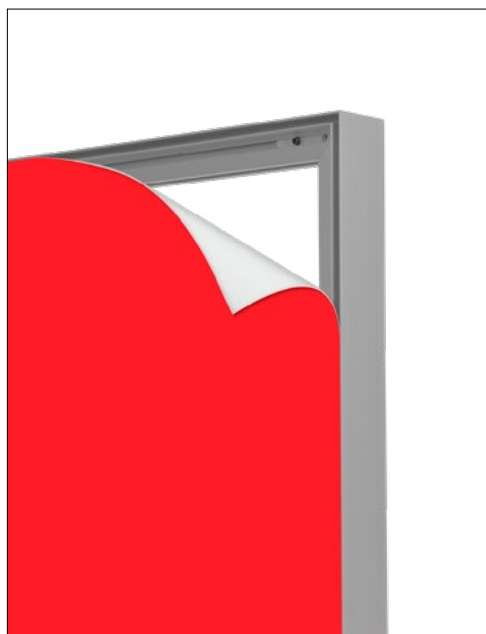
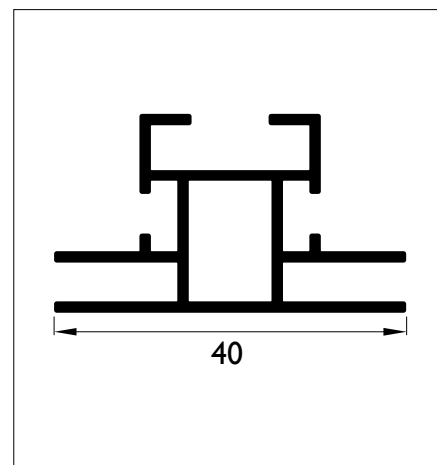
- Double side
- Plexi Illuminated
- Frame depth 30 mm
- Easy installation and visual changement
- Different size options
- Different color options
- Easy transport as demounted



## 40 MM PROFILE

Product Code: LD.MTL.PLT.84

- Double side
- Non-illuminated
- Frame depth 40 mm
- Easy installation and visual changement
- Different size options
- Different color options
- Easy transport as demounted



Illuminated



Non-Illuminated

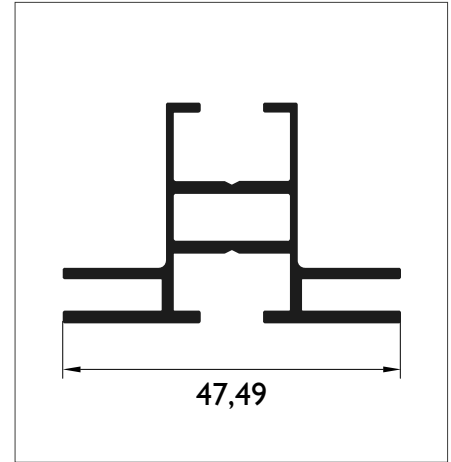


Radius

## 47,5 MM PROFILE

Product Code: LD.MTL.PLT.33

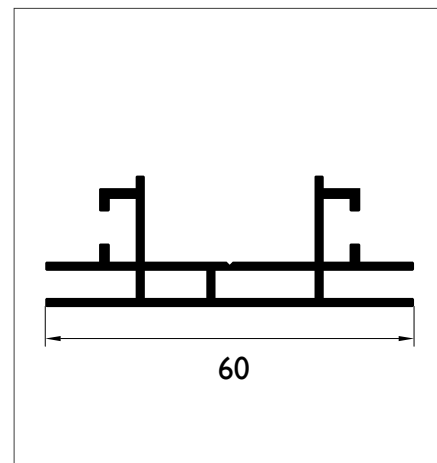
- Double side
- Non-illuminated
- Frame depth 47,5 mm
- Easy installation and visual changement
- Big size display opportunity as modular
- Different size options
- Different color options
- Easy transport as demounted



## 60 MM PROFILE

Product Code: LD.MTL.PLT.08

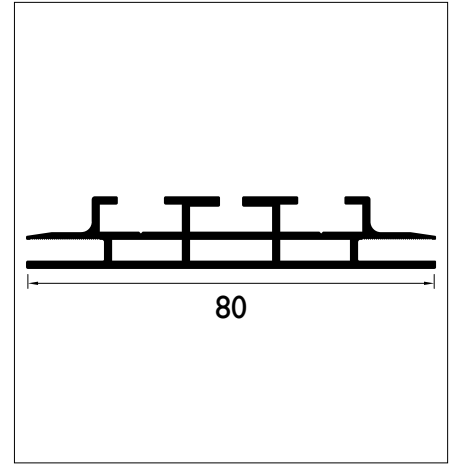
- Double side
- Edgelit Illuminated
- Frame depth 60 mm
- Easy installation and visual changement
- Different size options
- Different color options
- Easy transport as demounted



## 80 MM PROFILE

Product Code: LD.MTL.PLT.70

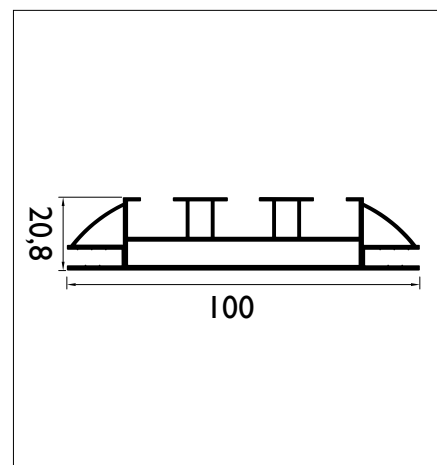
- Double side
- Edgelit Illuminated
- Frame depth 80 mm
- Easy installation and visual changement
- Different size options
- Different color options
- Easy transport as demounted



## 100 MM PROFILE

Product Code: LD.MTL.PLT.34

- Double side
- Edgelit Illuminated
- Frame depth 100 mm
- Easy installation and visual changement
- Different size options
- Different color options
- Easy transport as demounted



Illuminated



Non-Illuminated

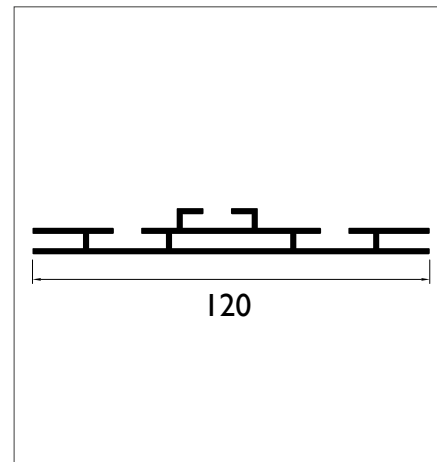


Radius

## 120 MM PROFILE

Product Code: LD.MTL.PLT.06

- Double side
- Edgelit Illuminated
- Frame depth 120 mm
- Easy installation and visual changement
- Different size options
- Different color options
- Easy transport as demounted

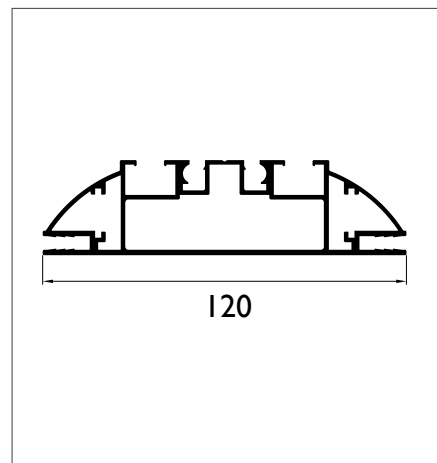




## AJ120 MM PROFILE

Product Code: LD.MTL.PAJ.06

- Double side
- Edgelit Illuminated
- Frame depth 120 mm
- Easy Connector is an option
- Easy installation and visual changement
- Different size options
- Different color options
- Easy transport as demounted



Illuminated



Non-Illuminated

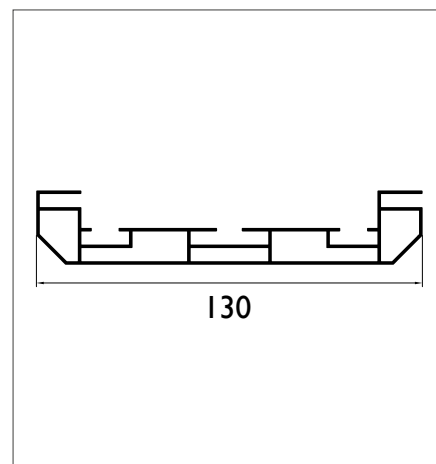


Radius

## I 130 MM SHOPWINDOW PROFILE

Product Code: LD.MTL.PLT.I I

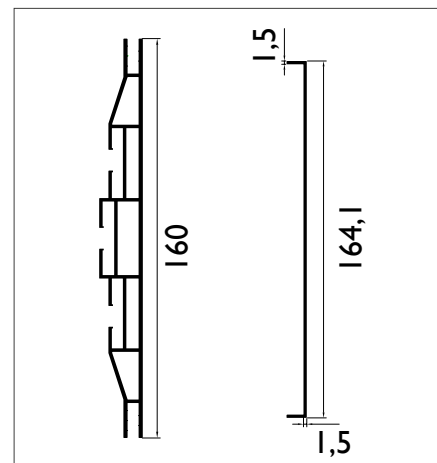
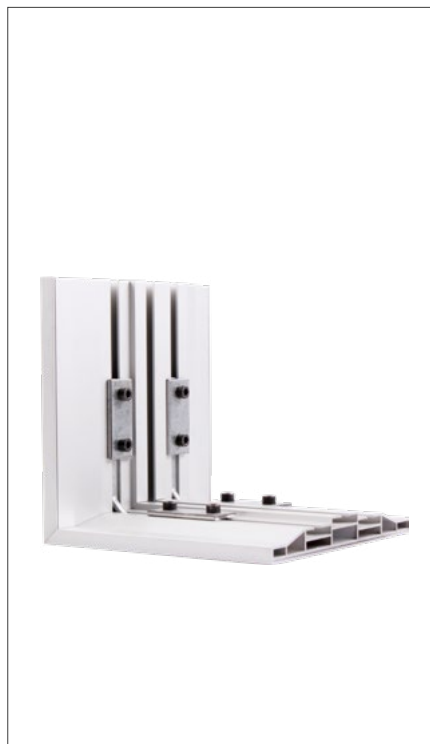
- Double side
- Edgelit Illuminated
- Frame depth 130 mm
- For shopwindows usage
- Easy installation and visual chngement
- Different size options
- Different color options
- Easy transport as demounted



## 160 MM PROFILE

Product Code: LD.MTL.PLT.46 (Profile)  
LD.MTL.PLT.47 (Cover)

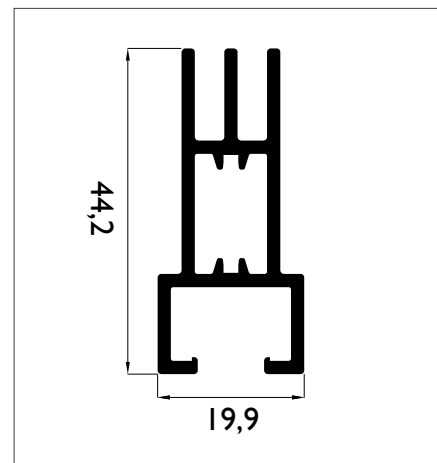
- Double side
- Edgelit Illuminated
- Frame depth 160 mm
- Easy installation and visual changement
- Different size options
- Different color options
- Easy transport as demounted



## CUBE PROFILE

Product Code: LD.MTL.PAJ.02

- Double side
- Edgelit Illuminated
- Easy installation and visual changement
- Different size options
- Different color options
- Easy transport as demounted





## ILLUMINATION OPTIONS

## 2W MODULE LED



Code Name	LD.LED.ML.12
Size (mm)	43 x 36,3 x 15 mm
CCT (K)	9500 - 10000K
View Angle (°)	15° x 45°
Luminous Flux (lm)	180
Voltage (V)	12
Power (W/pcs)	2
IP Class	IP65
Maximum Serial Connection	20

## MODULE LED



Code Name	LD.LED.ML.17	LD.LED.ML.10
Size (mm)	37 x 25,5 mm	37 x 25,5 mm
CCT (K)	7000 - 8000 K	6000 - 6500K
View Angle (°)	170°	170°
Luminous Flux (lm)	55	55
Voltage (V)	12	12
Power (W/pcs)	0,72	0,72
IP Class	IP65	IP65
Maximum Serial Connection	MAX 50	MAX 50

## ML 19



Code Name	LD.LED.ML.19
Size (mm)	84*20*11,5mm
CCT (K)	6000 - 6500K
View Angle (°)	170°
Luminous Flux (lm)	300 lm
Voltage (V)	24
Power (W/pcs)	2 W
IP Class	IP65
Maximum Serial Connection	25

## NEW ECO SLIM LED BAR



Code Name	LD.LED.BL.28T	LD.LED.BL.65	LD.LED.BL.35
Size (mm)	450 mm <small>Can ve cuted at each 80 mm</small>		480 mm <small>Can ve cuted at each 240 mm</small>
CCT (K)	6000 - 6500 K		3000 - 3500K
View Angle (°)	170°		160°
Luminous Flux (lm)	330 lm/bar	500-600 lm/bar	330 lm/bar
Voltage (V)	12	24	12
Power (W/pcs)	3,6 W/bar	6 W/bar	3,6 W/bar
IP Class	IP20		IP20
Maximum Serial Connection	7		7

## SÜPER EKO 48



Code Name	LD.LED.BL62
Size (mm)	480 mm
CCT (K)	6000 - 6500K
View Angle (°)	170°
Luminous Flux (lm)	330 lm/bar
Voltage (V)	12
Power (W/pcs)	3.2W/bar
IP Class	IP20
Maximum Serial Connection	12

## ECO 48 CURTAIN (SAMSUNG)



Code Name	LD.LED.BL43	LD.LED.BL44
Size (mm)	480 mm <small>Can be cut at each 240 mm</small>	240 mm
CCT (K)	6000 - 6500 K	6000 - 6500 K
View Angle (°)	160°	160°
Luminous Flux (lm)	330	165
Voltage (V)	12	12
Power (W/pcs)	3,6	1,8
IP Class	IP20	IP20
Maximum Serial Connection	15	15



## MEGA SLIM LED BAR



Code Name	LD.LED.BL45
Size (mm)	450 mm <small>Can be cut at each 80 mm</small>
CCT (K)	6000 - 6500K
View Angle (°)	170°
Luminous Flux (lm)	500-600 lm/bar
Voltage (V)	12
Power (W/pcs)	6 W/bar
IP Class	IP20
Maximum Serial Connection	6

## ECO 48 (CURTAIN LED)



Code Name	LD.LED.BL46T
Size (mm)	480 mm
CCT (K)	6000 - 6500K
View Angle (°)	170°
Luminous Flux (lm)	500 - 600
Voltage (V)	12
Power (W/pcs)	6 W/bar
IP Class	IP20
Maximum Serial Connection	12

## EKO MEGA SLIM



Code Name	LD.LED.BL53	LD.LED.BL56	LD.LED.BL57
Size (mm)	480 mm	480 mm	480 mm
CCT (K)	6000 - 6500 K	9000 - 10000 K	4000 K
View Angle (°)	170°	170°	170°
Luminous Flux (lm)	500-600lm/bar	500-600lm/bar	500-600lm/bar
Voltage (V)	12	12	12
Power (W/pcs)	6	6,8	6,6
IP Class	IP20	IP20	IP20
Maximum Serial Connection	6	6	6

## ECO CONIC LED BAR



Code Name	LD.LED.SL23	LD.LED.SL24
Size (mm)	250 mm	450 mm
CCT (K)	6000 - 6500 K	6000 - 6500K
View Angle (°)	15° x 45°	15° x 45°
Luminous Flux (lm)	520	900
Voltage (V)	24	24
Power (W/pcs)	8,4	14,4
IP Class	IP44	IP44
Maximum Serial Connection	10	5

## ULTRA CONIC LED BAR



Code Name	LD.LED.SL.31-O	LD.LED.SL.30-O
Size (mm)	500 mm	200 mm
CCT (K)	6000 - 7000 K	6000 - 7000K
View Angle (°)	15° x 45°	15° x 45°
Luminous Flux (lm)	2000	800
Voltage (V)	24	24
Power (W/pcs)	20	8
IP Class	IP53	IP53
Maximum Serial Connection	3	10

## S SIDE EDGELIT ILLUMINATED



Code Name	LD.LED.SL.19	LD.LED.SL.20
Size (mm)	296 mm	495 mm
CCT (K)	7000 - 7500 K	7000 - 7500 K
View Angle (°)	15° x 45°	15° x 45°
Luminous Flux (lm)	760	1260
Voltage (V)	24	24
Power (W/pcs)	9	15
IP Class	IP64	IP64
Maximum Serial Connection	10	5

**SIDE LED**

99 CM



Code Name	LD.LED.SL.34
Size (mm)	990x25x1 mm
CCT (K)	9500 - 11000K
View Angle (°)	15 x 45°
Luminous Flux (lm)	120lm/led
Voltage (V)	12
Power (W/pcs)	18 W/bar
IP Class	IP20
Maximum Serial Connection	2



## ACCESSORIES

## FREE STANDING UNITS



LD.MLT.AYK02 Flat Foot  
100 x 450 x 5 mm



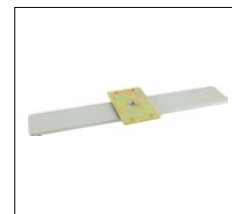
LD.MLT.AYK01 Flat Foot  
165 x 500 x 5 mm



LD.MLT.AYK81 Flat Foot  
250 x 60 x 5 mm



LD.MLT.AYK04 Radius Foot  
500 x 100 x 5 mm



LD.MLT.AYK36 Modular Foot  
60 x 375 x 6 mm



LD.MLT.AYK05 Metal Foot  
400 x 300 x 5 mm



LD.MLT.AYK07 Delta Foot  
200 x 400 x 3 mm



LD.MLT.AYK03 Delta Foot  
350 x 350 x 3 mm



LD.MLT.AYK08 Round Foot  
350 x 350 x 5 mm



LD.MLT.AYK25 360° Foot  
400 x 400 x 100 mm



LD.MLT.AYK10  
Delta Metal Foot Model 1  
180 x 130 x 3 mm



LD.MLT.AYK11  
Delta Metal Foot Model 5  
180 x 130 x 3 mm

## PVC / SILICONE STRIPES



PVC Transparent Stripes  
13 x 3 mm



PVC Transparent Stripes  
10,5 x 3 mm



PVC White Stripes  
13 x 3 mm



Silicone White Stripes  
15 x 3,5 mm

## HANGING UNITS



LD.MTL.ALT23  
Steel Cable



LD.MTL.ALT39  
Suspension Clip



LD.MTL.ALT40  
Steel Cable Connector



LD.MTL.ALT37  
Eyebold



LD.MTL.ALT42  
Hook with Lock

## POWER SUPPLIES



MODEL	LPV-35-12	LPV-60-12	LPV-100-12	LPV-150-12
PRODUCT CODE	LD.ADTR.MW01	LD.ADTR.MW02	LD.ADTR.MW03	LD.ADTR.MW50
POWER	36W	60W	100W	120W
DC VOLTAGE	12V	12V	12V	12V
CURRENT	3A	5A	8,5A	10A
EFFI.	84%	83%	85%	87%
WORK. TEMP.	-30 +65°	-30 +70°	-25 +70°	-25 +65°



MODEL	LPV-35-24	LPV-60-24	LPV-100-24	LPV-150-24
PRODUCT CODE	LD.ADTR.MW08	LD.ADTR.MW06	LD.ADTR.MW07	LD.ADTR.MW08
POWER	36W	60W	100W	150W
DC VOLTAGE	24V	24V	24V	24V
CURRENT	1,5A	2,5A	4,2A	6,3A
EFFI.	85%	86%	88%	89%
WORK. TEMP.	-30 +65°	-30 +70°	-25 +70°	-25 +65°

## POWER SUPPLIES



MODEL	XLG-100-12	XLG-150-12	XLG-200-12	XLG-320-12
PRODUCT CODE	LD.ADTR.MW86	LD.ADTR.MW74	LD.ADTR.MW73	LD.ADTR.MW83
POWER	96 W	150 W	192 W	216 W
DC VOLTAGE	12V	12V	12V	12V
CURRENT	8A	12.5A	16A	18A
EFFI.	92%	91,50%	92%	93%
WORK. TEMP.	-40 +90°	-40 +90°	-40 +90°	-40 +85°



MODEL	XLG-100-24	XLG-150-24	XLG-200-24	XLG-320-24
PRODUCT CODE	LD.ADTR.MW81	LD.ADTR.MW79	LD.ADTR.MW65	LD.ADTR.MW83
POWER	96W	150 W	199.2W	312W
DC VOLTAGE	24V	24V	24V	24V
CURRENT	4A	6.25A	8.3A	13A
EFFI.	%92	%93	%94	93%
WORK. TEMP.	-40 +90°	-40 +90°	-40 +90°	-40 +85°



MODEL	UPS-72-12	UPS-100-12	UPS-150-12
PRODUCT CODE	LD.ADTR.NUT10	LD.ADTR.NUT08	LD.ADTR.NUT09
POWER	72W	100W	150W
DC VOLTAGE	12V	12V	12V
CURRENT	6A	8,5 A	12,5 A
EFFI.	85%	86%	88%
WORK. TEMP.	-25 +55°	-25 +55°	-25 +55°







# TEKSTİL BOX<sup>®</sup>

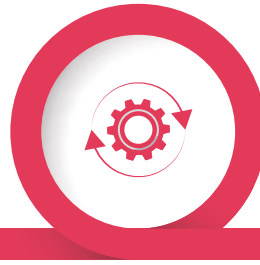
fabric display solutions



LONG LIFE



LOW COST



INNOVATION



ECO FRIENDLY





Mehmet Nesih Özmen Mh. Savur Sk. No:22 Merter / Güngören - İSTANBUL / TÜRKİYE

P: +90 212 637 03 34

info@[tekstilbox.com](mailto:info@tekstilbox.com) | [www.tekstilbox.com](http://www.tekstilbox.com)

